

NOTICE OF SERVICE INTERRUPTION/WORK FORM

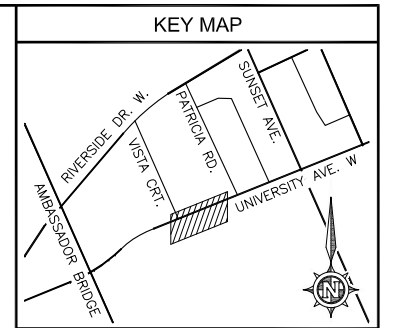
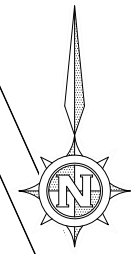
Date of Request (yyyy/mm/dd): _____		Requester: _____	
Start Date – End			
Start Date (yyyy/mm/dd) _____ Time (s) _____		Notes _____	
End Date (yyyy/mm/dd) _____ Time (s) _____		_____	
Building(s) Affected:	1: _____	2: _____	
	3: _____	4: _____	
Areas/Rooms Affected: _____			
Service to be interrupted:	1: _____	2: _____	
	3: _____	4: _____	
Description/Reason for Project:			
<div style="border: 1px solid black; width: 100%; height: 100%;"></div>			

Contractor: _____	Phone #: _____
Contractor/Project Managers: _____	Phone #: _____

Should you have any questions or concerns, please contact

Notes:

UNIVERSITY AVE. W.



WINDSOR

LEGEND

NEW CONDUIT	---
EXISTING CONDUIT	- - - -
STEEL PLATE	▨
TRACE WIRE ACCESS CAN	⊕
PVC RAB BOX	⊙
NEW FIBRE OPTIC CABLE	---
EXISTING FIBRE OPTIC CABLE	- - - -
NEW STRAND	---
EXISTING STRAND	- - - -
EXISTING TELUS HANDHOLE	⊠
MANHOLE (XX DESIGNATES OWNER)	⊠
NEW PEDESTAL	⊠
EXISTING PEDESTAL	⊠
NEW PATCH PANEL	⊠
NEW SPLICE	⊠
EXISTING SPLICE	⊠
NEW CABLE COIL, CONTINUOUS	⊠
EXISTING CABLE COIL, CONTINUOUS	⊠
DOWN GUY AND ANCHOR	⊠
SIDEWALK STRUT & ANCHOR	⊠
GROUND & BOND LOCATION	⊠
NEW LOOP BACK	⊠
EXISTING LOOP BACK	⊠
NEW CABLE COIL, END	⊠
CABLE DIP INDICATOR	⊠
WOODEN POLE	⊠
CONCRETE POLE	⊠
COMPOSITE POLE	⊠
TOWER	⊠

GENERAL NOTES

- PROPOSED DUCT, HANDHOLE AND PEDESTAL SIZES AND LOCATIONS ARE SHOWN ON PLAN AND DETAILS
 - ALL DIMENSIONS TO BE VERIFIED ON SITE PRIOR TO JOB START
 - IF A DISCREPANCY IS NOTED, THE TELUS CONTACT IS TO BE CONSULTED PRIOR TO ANY CONSTRUCTION WORK TAKING PLACE
 - ALL REVISIONS MUST BE APPROVED PRIOR TO CONSTRUCTION
- DO NOT CUT CABLE UNLESS TELUS APPROVED**
- ALL WORK TO BE PERFORMED IN ACCORDANCE WITH TELUS SPECIFICATIONS AND DRAWINGS
 - ALL UNDERGROUND CABLES TO BE PLACED IN DUCT
 - SPIRAL WRAP AND ID TAG ALL EXPOSED FIBRE OPTIC CABLE(S)
 - ALL AERIAL CABLE PLACEMENT TO BE DOUBLE-LASHED

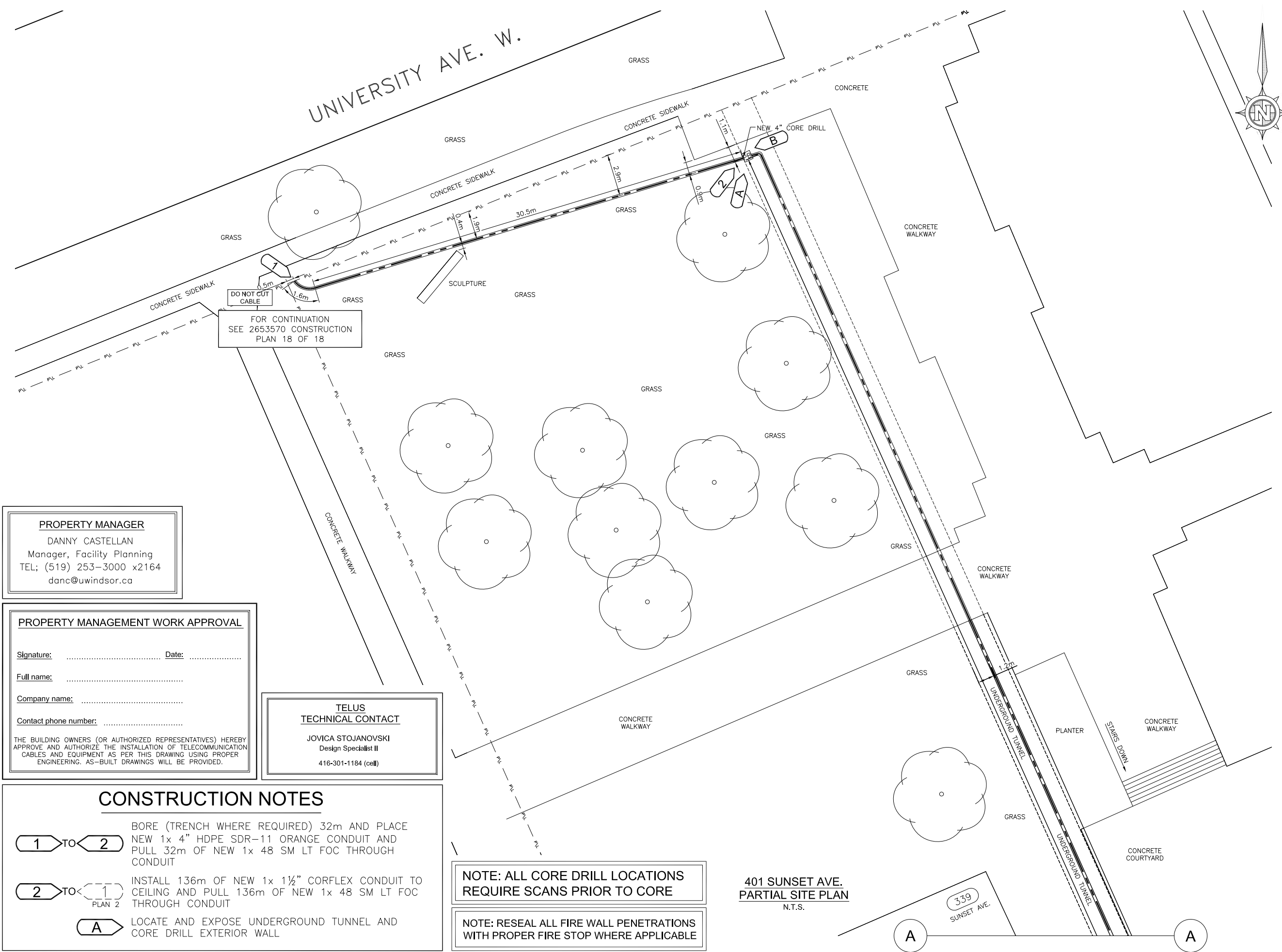
No.	DATE	REVISIONS	BY
3	JAN. 16/18	DRAWING REVISED	R.Z.
2	NOV. 13/17	DRAWING ISSUED	J.M.
1	NOV. 13/17	DRAWING ESTABLISHED	J.M.



DESCRIPTION: NEW FIBRE OPTIC CABLE SITE PLAN

AREA: 401 SUNSET AVE.

DESIGNED BY: STANTEC	DATE ISSUED: JAN. 16/18
DRAWN BY: J.M.	SCALE: N.T.S.
CONTRACTOR'S REFERENCE #: 158500199.375	SCALE: N.T.S.
TELUS PROJECT NUMBER: 2653570	PLAN 1 OF 2
PROJECT MANAGER: SENIOR PROJECT MANAGER	MANAGER, NETWORK PLANNING
CONSTRUCTION Q.C.	ASBUILT Q.C.



FOR CONTINUATION
SEE 2653570 CONSTRUCTION
PLAN 18 OF 18

PROPERTY MANAGER
DANNY CASTELLAN
Manager, Facility Planning
TEL: (519) 253-3000 x2164
danc@uwindsor.ca

PROPERTY MANAGEMENT WORK APPROVAL

Signature: Date:

Full name:

Company name:

Contact phone number:

THE BUILDING OWNERS (OR AUTHORIZED REPRESENTATIVES) HEREBY APPROVE AND AUTHORIZE THE INSTALLATION OF TELECOMMUNICATION CABLES AND EQUIPMENT AS PER THIS DRAWING USING PROPER ENGINEERING. AS-BUILT DRAWINGS WILL BE PROVIDED.

TELUS TECHNICAL CONTACT
JOVICA STOJANOVSKI
Design Specialist II
416-301-1184 (cell)

CONSTRUCTION NOTES

1 TO 2 BORE (TRENCH WHERE REQUIRED) 32m AND PLACE NEW 1x 4" HDPE SDR-11 ORANGE CONDUIT AND PULL 32m OF NEW 1x 48 SM LT FOC THROUGH CONDUIT

2 TO 1 INSTALL 136m OF NEW 1x 1 1/2" CORFLEX CONDUIT TO CEILING AND PULL 136m OF NEW 1x 48 SM LT FOC THROUGH CONDUIT

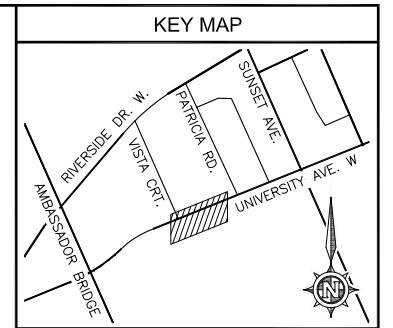
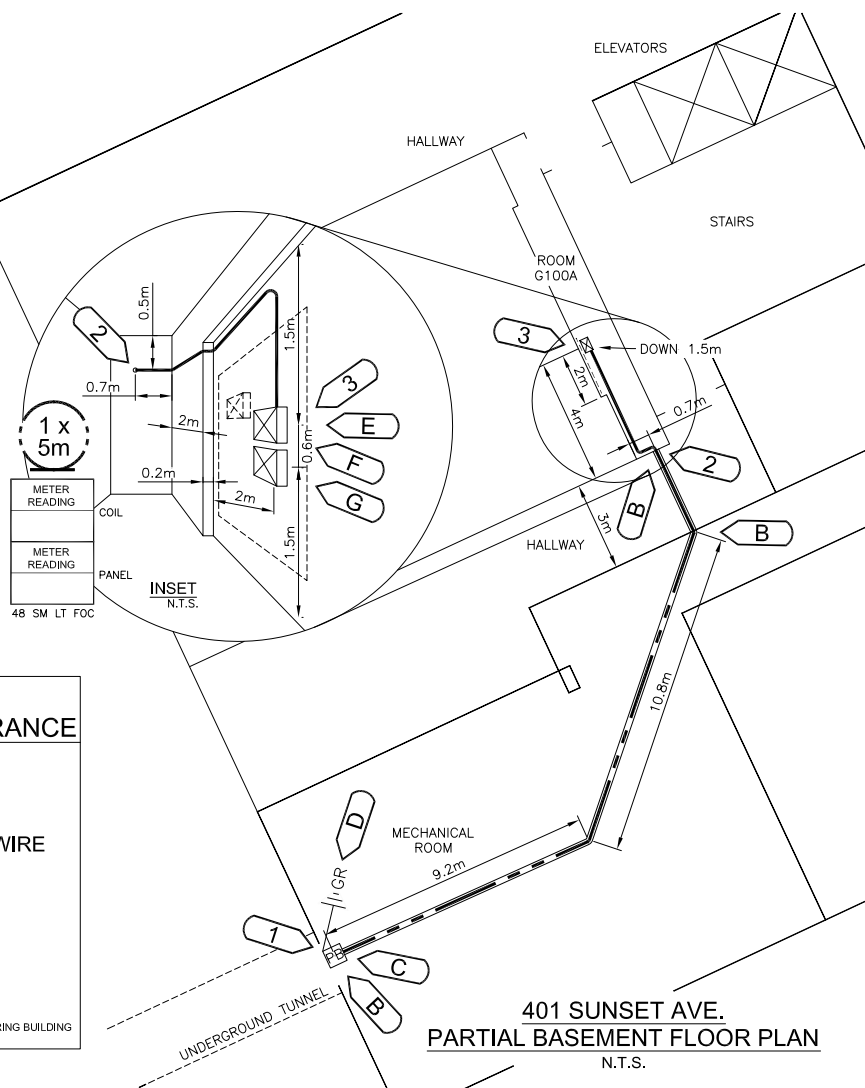
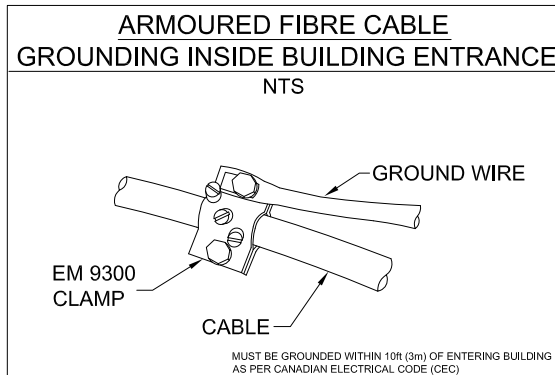
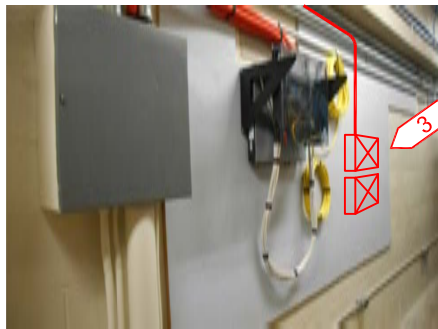
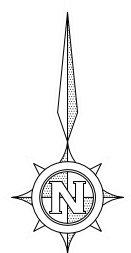
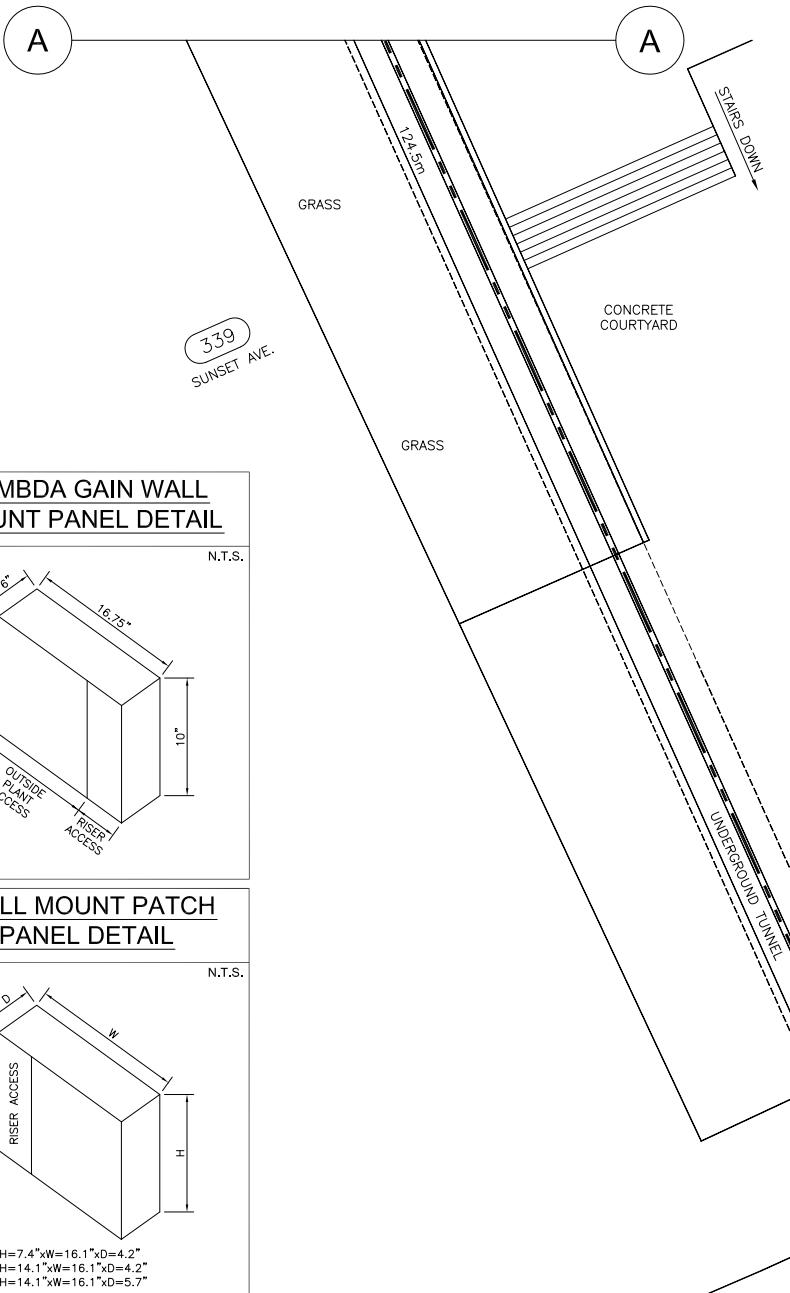
A LOCATE AND EXPOSE UNDERGROUND TUNNEL AND CORE DRILL EXTERIOR WALL

NOTE: ALL CORE DRILL LOCATIONS REQUIRE SCANS PRIOR TO CORE

NOTE: RESEAL ALL FIRE WALL PENETRATIONS WITH PROPER FIRE STOP WHERE APPLICABLE

401 SUNSET AVE.
PARTIAL SITE PLAN
N.T.S.

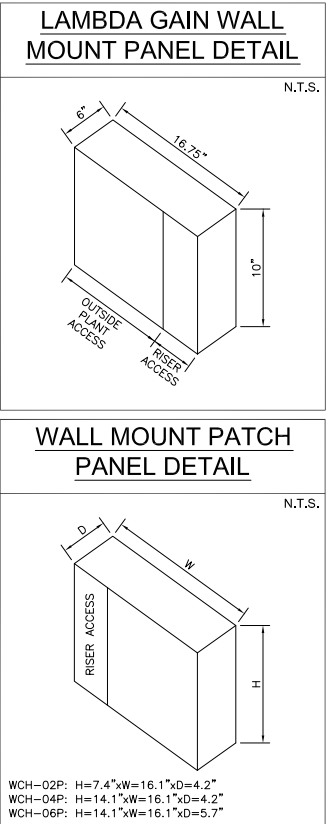
339
SUNSET AVE.



WINDSOR

LEGEND

NEW CONDUIT	---
EXISTING CONDUIT	- - - -
STEEL PLATE	▨
TRACE WIRE ACCESS CAN	⊕
PVC RAB BOX	⊙
NEW FIBRE OPTIC CABLE	—
EXISTING FIBRE OPTIC CABLE	- - -
NEW STRAND	---
EXISTING STRAND	- - -
EXISTING TELUS HANDHOLE	⊠
MANHOLE (XX DESIGNATES OWNER)	⊠
NEW PEDESTAL	⊠
EXISTING PEDESTAL	⊠
NEW PATCH PANEL	⊠
NEW SPLICE	⊠
EXISTING SPLICE	⊠
NEW CABLE COIL, CONTINUOUS	⊠
EXISTING CABLE COIL, CONTINUOUS	⊠
DOWN GUY AND ANCHOR	⊠
SIDEWALK STRUT & ANCHOR	⊠
GROUND & BOND LOCATION	⊠
NEW LOOP BACK	⊠
EXISTING LOOP BACK	⊠
NEW CABLE COIL, END	⊠
CABLE DIP INDICATOR	⊠
WOODEN POLE	⊠
CONCRETE POLE	⊠
COMPOSITE POLE	⊠
TOWER	⊠



- CONSTRUCTION NOTES**
- 2 TO 1 INSTALL 136m OF NEW 1x 1 1/2" CORFLEX CONDUIT TO CEILING AND PULL 136m OF NEW 1x 48 SM LT FOC THROUGH CONDUIT
 - 1 TO 2 INSTALL 23m OF NEW 1x 1 1/2" CORFLEX CONDUIT TO CEILING AND PULL 23m OF NEW 1x 48 SM LT FOC THROUGH CONDUIT
 - 2 TO 3 CLIP 6m OF NEW 1x 48 SM LT FOC TO WALL
 - B NEW 1 1/2" INTERIOR CONCRETE BLOCK WALL DRILL AND INSTALL NEW FIRE STOP SEAL
 - C INSTALL NEW 12"x12"x6" PULL BOX
 - D INSTALL SHEATH BOND AND NEW #6 GROUND WIRE TO MAIN BUILDING GROUND
 - E INSTALL NEW LAMBDA GAIN PANEL ON EXISTING BACKBOARD
 - F INSTALL NEW COIL AS INDICATED
 - G INSTALL NEW WALL MOUNT PATCH PANEL ON EXISTING BACKBOARD

401 SUNSET AVE. PARTIAL SITE PLAN
N.T.S.

401 SUNSET AVE. PARTIAL BASEMENT FLOOR PLAN
N.T.S.

PROPERTY MANAGEMENT WORK APPROVAL

Signature: _____ Date: _____

Full name: _____

Company name: _____

Contact phone number: _____

THE BUILDING OWNERS (OR AUTHORIZED REPRESENTATIVES) HEREBY APPROVE AND AUTHORIZE THE INSTALLATION OF TELECOMMUNICATION CABLES AND EQUIPMENT AS PER THIS DRAWING USING PROPER ENGINEERING. AS-BUILT DRAWINGS WILL BE PROVIDED.

PROPERTY MANAGER
DANNY CASTELLAN
Manager, Facility Planning
TEL; (519) 253-3000 x2164
danc@uwindsor.ca

TELUS TECHNICAL CONTACT
JOVICA STOJANOVSKI
Design Specialist II
416-301-1184 (cell)

NOTE: ALL CORE DRILL LOCATIONS REQUIRE SCANS PRIOR TO CORE

NOTE: RESEAL ALL FIRE WALL PENETRATIONS WITH PROPER FIRE STOP WHERE APPLICABLE

GENERAL NOTES

- PROPOSED DUCT, HANDHOLE AND PEDESTAL SIZES AND LOCATIONS ARE SHOWN ON PLAN AND DETAILS
- ALL DIMENSIONS TO BE VERIFIED ON SITE PRIOR TO JOB START
- IF A DISCREPANCY IS NOTED, THE TELUS CONTACT IS TO BE CONSULTED PRIOR TO ANY CONSTRUCTION WORK TAKING PLACE
- ALL REVISIONS MUST BE APPROVED PRIOR TO CONSTRUCTION

DO NOT CUT CABLE UNLESS TELUS APPROVED

- ALL WORK TO BE PERFORMED IN ACCORDANCE WITH TELUS SPECIFICATIONS AND DRAWINGS
- ALL UNDERGROUND CABLES TO BE PLACED IN DUCT
- SPIRAL WRAP AND ID TAG ALL EXPOSED FIBRE OPTIC CABLE(S)
- ALL AERIAL CABLE PLACEMENT TO BE DOUBLE-LASHED

No.	DATE	REVISIONS	BY
3	JAN. 16/18	DRAWING REVISED	R.Z.
2	NOV. 13/17	DRAWING ISSUED	J.M.
1	NOV. 13/17	DRAWING ESTABLISHED	J.M.

DESCRIPTION: NEW FIBRE OPTIC CABLE SITE PLAN

AREA: 401 SUNSET AVE.

DESIGNED BY: STANTEC

DRAWN BY: J.M.

DATE ISSUED: JAN. 16/18

CONTRACTOR'S REFERENCE #: 158500199.375

SCALE: N.T.S.

TELUS PROJECT NUMBER: 2653570

PLAN 2 OF 2

PROJECT MANAGER: SENIOR PROJECT MANAGER

MANAGER, NETWORK PLANNING

CONSTRUCTION G.C. ASBUILT G.C.