

## NOTICE OF SERVICE INTERRUPTION/WORK FORM

<b>Date of Request (yyyy/mm/dd):</b> _____		<b>Requester:</b> _____							
<b>Start Date – End</b>									
<table border="1" style="width: 100%; border-collapse: collapse;"> <tr> <td>Start Date (yyyy/mm/dd) _____</td> <td>Time (s) _____</td> </tr> <tr> <td>End Date (yyyy/mm/dd) _____</td> <td>Time (s) _____</td> </tr> </table>		Start Date (yyyy/mm/dd) _____	Time (s) _____	End Date (yyyy/mm/dd) _____	Time (s) _____	<table border="1" style="width: 100%; border-collapse: collapse;"> <tr> <td>Notes _____</td> </tr> <tr> <td>_____</td> </tr> </table>		Notes _____	_____
Start Date (yyyy/mm/dd) _____	Time (s) _____								
End Date (yyyy/mm/dd) _____	Time (s) _____								
Notes _____									
_____									
<b>Building(s) Affected:</b>	1: _____	2: _____							
	3: _____	4: _____							
<b>Areas/Rooms Affected:</b> _____									
<b>Service to be interrupted:</b>	1: _____	2: _____							
	3: _____	4: _____							
<b>Description/Reason for Project:</b>									

<b>Contractor:</b> _____	<b>Phone #:</b> _____
<b>Contractor/Project Managers:</b> _____	<b>Phone #:</b> _____

Should you have any questions or concerns, please contact

**Notes:**



**NOT FOR  
CONSTRUCTION**

OUTLINE OF UNIVERSITY  
OF WINDSOR FITNESS  
CENTRE

PROPOSED 2ft  
MICROWAVE AT  
Az. 317.73°

PROPOSED  
4-STONE  
ANTENNA  
BALLAST  
MOUNT

PROPOSED CONDUIT TO  
ROOF HATCH OPENING ON  
RUBBERIZED SLEEPERS  
SPACED @ 40" APART

OUTLINE OF UNIVERSITY  
OF WINDSOR FITNESS  
CENTRE

PROPOSED 4-STONE  
ANTENNA BALLAST MOUNT  
w/ 2ft MICROWAVE AT  
Az. 317.73°

PROPOSED CONDUIT TO  
ROOF HATCH OPENING ON  
RUBBERIZED SLEEPERS  
SPACED @ 40" APART

Rev.	Description	Dwn	Chk	App	Date
------	-------------	-----	-----	-----	------



65 Raglin Road  
Cambridge, Ontario  
N1T 1X9  
Phone: 519-621-8840  
Fax: 519-621-4605

Copyright - duplication, recording, disclosure, and use is prohibited without the written consent of SKYWARD TOWERS INC.

Drawing Reference:  
\_\_\_\_\_  
\_\_\_\_\_  
\_\_\_\_\_  
\_\_\_\_\_

Drawing Title  
**PROPOSED  
2ft MICROWAVE MOUNT**

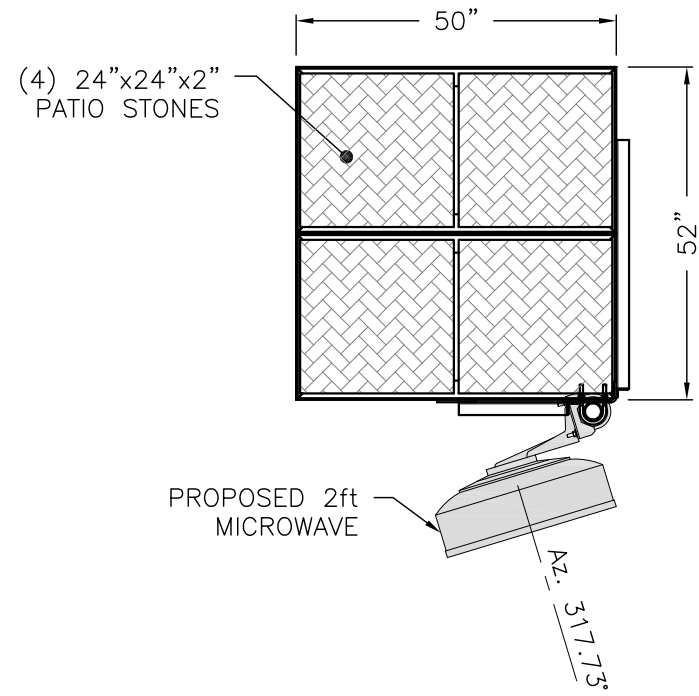
**UNIVERSITY OF WINDSOR  
FITNESS CENTRE**

**TELUS MOBILITY ON4075**

Drawn By: KF	Checked By: BT	Approved By:
-----------------	-------------------	--------------

Skyward Job No.: 9834	Date: 21 JUN 19	Rev: 0
--------------------------	--------------------	-----------

Drawing No.:  
**9834-ON4075-01MW-E01**



PLAN VIEW

**NOT FOR CONSTRUCTION**



Rev.	Description	Dwn	Chk	App	Date

**Skyward Towers**  
 65 Raglin Road  
 Cambridge, Ontario  
 N1T 1X9  
 Phone: 519-621-8840  
 Fax: 519-621-4605

Copyright - duplication, recording, disclosure, and use is prohibited without the written consent of SKYWARD TOWERS INC.

Drawing Reference:  
 \_\_\_\_\_  
 \_\_\_\_\_  
 \_\_\_\_\_  
 \_\_\_\_\_

Drawing Title  
**PROPOSED 2ft MICROWAVE BALLAST MOUNT**

UNIVERSITY OF WINDSOR  
 FITNESS CENTRE

TELUS MOBILITY, ON4075

Drawn By: KF	Checked By: BT	Approved By:
Skyward Job No.: 9834	Date: 21 JUN 19	Rev: 0

Drawing No.:  
 9834-ON4075-01MW-E02

